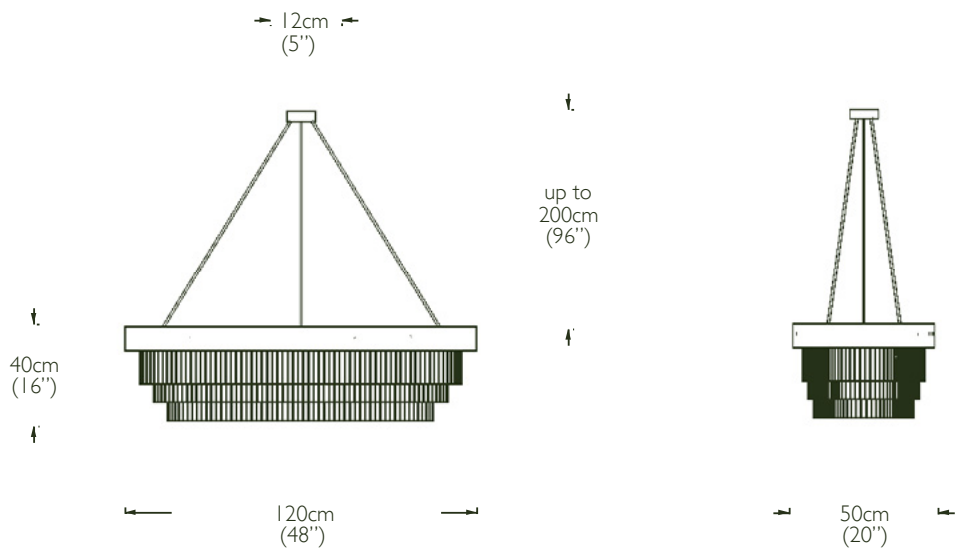


OCHRE





dimensions:

canopy - 12cm diam (5" diam)
 overall - 120cm w x 50cm d x 40cm h (48" w x 20" d x 16" h)

light source:

4x GU10 bulb holders
 bulbs not supplied, dimmable LED bulb recommended

wiring:

natural textile flex (UL listed)

installation:

4x tension wires adjustable up to 2m (96"), with ceiling canopy in satin nickel finish
 it is advisable to measure from ceiling to top of chandelier in case longer wires are required
 qualified electrician necessary for installation

weight:

approx 13kg (29lbs)

also available:

150cm w x 60cm d x 40cm h (60" w x 24" d x 16" h) 3 double tiers

light source:

4x GU10 bulb holders

weight:

approx 21kg (46lbs)

the porcelain drops are hand coloured with specially mixed glazes • the gentle variation in tones together with the irregularity of pieces beautifully define the aquarelles chandeliers

aquarelles chandelier oval 120cm and 150cm

horsehair shade with hand glazed porcelain drops in celadon, coral or sky, 3 tiers